



NAVISTAR, INC.
4201 WINFIELD ROAD, PO BOX 1488, WARRENVILLE, IL60555

A NAVISTAR COMPANY

PUBLICATIONS AFFECTED:

- CT-400 Sales Data Book
- PL-284 Price List (Hvy)
- PLM-282 Price List (Med)
- PLH-284 Price List (Hvy)
- PLE-283 Price List (Bus)
- CT-471 Body Builder Book
- General Information

Product
Information
Update
G-2767

May 21, 2010

SUBJECT: Introducing the International TerraStar™ Series Class 4/5 4x2 Truck Model



Effective May 25, 2010 the International TerraStar™ Series Class 4/5 4x2 truck is available for ordering in Sales Tools.

Designed to meet the specific medium duty needs of businesses, the International TerraStar offers everything you've come to expect from an International – commercial grade design and componentry with best-in-class visibility and cab size for ease of operation. It also offers the world-class performance of the all new MaxxForce 7 engine with 300 hp and the only “no-hassle” emissions technology available in the marketplace.

Low volume production is scheduled to begin in September, 2010 with a full feature offering to begin in December, 2010. With its industry standards-compliant chassis and cab, TerraStar is ideal for applications like dry van, utility, service, recovery and more.

Product Information Update Letter G-2767

Easy to Operate

- Available in Regular, Extended and Crew Cab Configurations
- Seats that can comfortably accommodate 3 man crews and come with seat belts to accommodate larger drivers with heavy work clothing. Vinyl seats are standard with Cloth, Air Ride and NFPA compliant seats offered as options.
- Allison 1000 Series automatic transmission
- Lowered cab height for easy cab access
- Courtesy lights mounted in the doors for improved step visibility and storage in the crew cab rear doors.
- Standard stationary steering column with optional tilt column or tilt/telescoping column
- Excellent curb-to-curb turning radius for outstanding maneuverability
- Best-in-Class Visibility with excellent Forward Line of Sight and large glass area of 2,074 sq inches
- The International Diamond Logic electrical system allows the engine, transmission, instrument panel and other vehicle components to communicate with each other electronically. Features offered for added convenience include:
 - Wiper speed automatically reduced to intermittent slow speed when parking brake is set
 - Lights automatically turn on when wipers are activated to meet the legal requirements in many states
 - In-cab switch to control beacon lights and strobe lights
 - Parking brake alarm
 - Engine Control with remote start capability
 - Factory-installed indicator lights and audible alarms for Gate Open and Body Up warning
 - Automated vehicle light check
 - Report Diagnostic Fault codes
 - Solid state protected outputs
 - The standard electrical system includes a 12 Volt 120 Amp Alternator and a 12 Volt 1100 Total CCA Battery System

Powered by MaxxForce

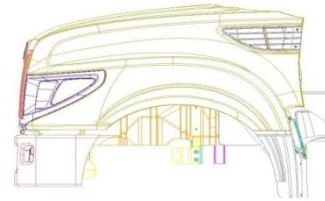
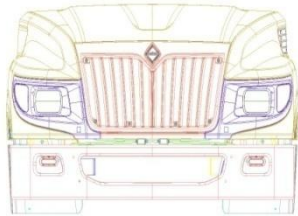
MaxxForce 7

- Configuration V8
- Displacement 6.4 L (389 cu in)
- Power Output 300hp @ 2600 rpm
- Peak Torque 660 ft lbs. @ 1600 rpm
- Aspiration Dual Sequential Turbocharged
- Combustion System Direct Injection
- Dry Engine Weight 1225 lbs
- Block Compacted Graphite Iron



The MaxxForce 7 engine features advanced EGR emissions technology that eliminates the need for extra equipment, liquid urea or additional training. The advanced EGR solution is the industry's only "no-hassle" solution for 2010 emissions. This technology better utilizes advancements to the fuel, air, EGR, mixing and control systems. Outstanding Fuel Economy is assured by the improved breathing, increased EGR cooler effectiveness, combustion optimization and pumping efficiency. The exhaust gas system includes an advanced EGR cooler and integrated EGR valve, mixer, grid heater and throttle housing. Right side frame mounted horizontal exhaust and tail pipe is standard.

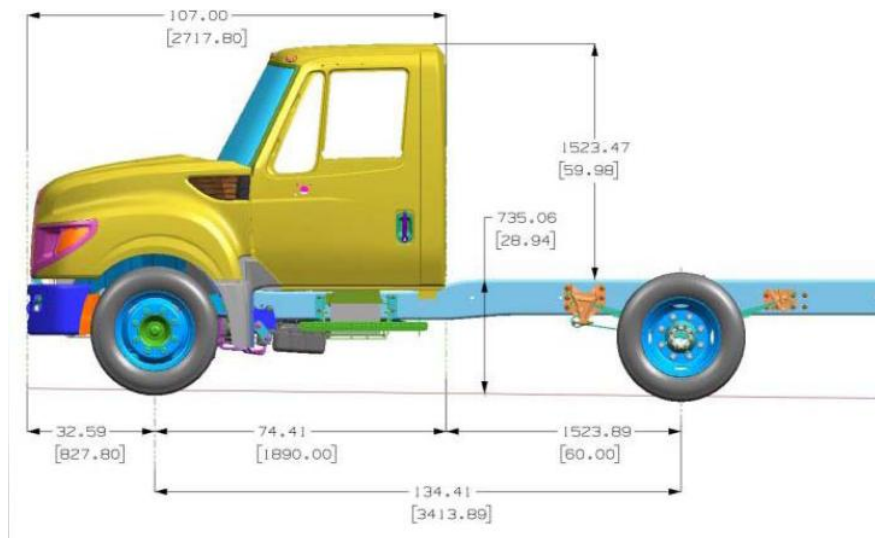
Commercial Grade Design



- Commercial style tilt-away hood offers unobstructed access to the engine compartment, making routine and scheduled maintenance quick, easy and convenient. The three-piece hood design allows for independent repair of fenders in case of an accident. The sealed beam headlight bulbs are readily available and easy to replace
- Commercial grade 5-step paint and corrosion resistance process
- 80,000 PSI, drop center, stamped frame rail is the standard. Components are huck-bolted for the ultimate in strength and durability
- Three-channel hydraulic disc brake system is standard
- A 6000-lb rated Dana Spicer front axle is offered as standard and a 7000-lb rated axle is offered as an option
- A 6000-lb rated taper-leaf shackle type suspension with shock absorbers is the standard. Taper leaf springs offer durability, light weight, excellent stability and a comfortable ride
- A 10,000-lb rated Dana Spicer single rear axle is standard with matching VariRate suspension with auxiliary rubber springs and shock absorbers. 11,000 lb and 13,200 lb rear axles are optional
- Deluxe interior trim level is standard and includes a black rubber floor covering, overhead console with dual storage pockets and a full-length storage pocket door
- Break-away mirrors are offered to minimize cab and door damage as a result of low speed collision They are available heated and/or lighted and in powder coat or bright finishes
- An Allison 1000 Series 5-speed HS transmission is offered as standard, with optional 1000 Series RDS and EVS transmissions for specific applications

TerraStar Specs

- BBC
 - Standard Cab: 107"
 - Extended Cab: 133"
 - Crew Cab: 150.9"
- MaxxForce 7 diesel engine
 - 300 HP / 660 ft.-lbs
 - Advanced EGR
- Allison 1000 Series 5-Speed Automatic Transmission
- Front axles: 6000-lb and 7000-lb ratings
- Rear axles: 10K, 11K and 13,200-lb ratings
- Hydraulic disc brakes and 3-channel ABS
- 40 gallon between-the-rails fuel tank
- 19.5" wheels
- Deluxe and Premium interiors
- Wheelbases to accommodate common body sizes:
 - Standard Cab: 134", 158", 183", 195"
 - Extended Cab: 160", 185", 209"
 - Crew Cab: 179", 203"



For body builder information, use the following link:

<http://sales.navistar.com/adobe/saleinfo/ctdocmain.asp?doctype=ct471>

PRICING NOTE:

For the most up to date pricing information on the feature codes contained in this letter please go to the Pricing Information web site: <http://sales1.navistar.com/salestools/pi/default.aspx>
