



NAVISTAR, INC.
4201 WINFIELD ROAD, PO BOX 1488, WARRENVILLE, IL60555

A NAVISTAR COMPANY

PUBLICATIONS AFFECTED:

- CT-400 Sales Data Book
- PL-284 Price List (Hvy)
- PLM-282 Price List (Med)
- PLH-284 Price List (Hvy)
- PLE-283 Price List (Bus)
- CT-471 Body Builder Book
- General Information

Product
Information
Update
G-2734

December 11, 2009

SUBJECT: International® ProStar+™ Series Is Now Available for Sales Tool Ordering

Effective with the December 15, 2009 Sales Tool update and the January 11, 2010, Price List, the new International ProStar+™ models will be advertised and available with initial production beginning in March 2010.

Just when the competition thought they were gaining on the International® ProStar®, we've raised the stakes again. Designed with input from our customers, the new International® Pro-Star+™ builds on its successful foundation with even more innovative features that keep it the most advanced truck on the road. These enhancements will help maximize driver satisfaction and fuel economy, while keeping operating costs to a minimum. Additionally, ProStar+ features the new 2010 MaxxForce® 11 and MaxxForce® 13 engines with MaxxForce® Advanced EGR, an in-cylinder emissions solution that does not require additional after-treatment equipment, training and maintenance, which means less weight and less hassle for the customer.

ProStar+ Enhancements

- **Lowest Cost of Ownership**
 - Improved Fuel Economy compared to 2009 model ProStar
 - No incremental SCR related cost
 - Weight reduced compared to 2009 model ProStar
 - 15 -105 lb. reduction due to interior revisions depending upon vehicle configuration
- **Best-In-Class Aerodynamics**
 - ProStar+ has been designed to incorporate both aerodynamic and powertrain feature improvements that deliver fuel economy improvements.
 - Bumper seal
 - DayCab Aerodynamic updates
 - Full Length Chassis Skirts
 - Clutched Air Compressor
 - Variable Speed Fan
 - Low Viscosity Engine Oil
 - Fuel Efficient Rear Axle Lube
- **Unparalleled Driver Satisfaction**
 - Increased storage and functionality
 - 41% - 53% increase in total storage
 - 150% increase in captured storage
 - Improved Driver Environment
 - Lower noise levels
 - Improved clutch feel
 - Improved driver foot room with lower console and engine cover

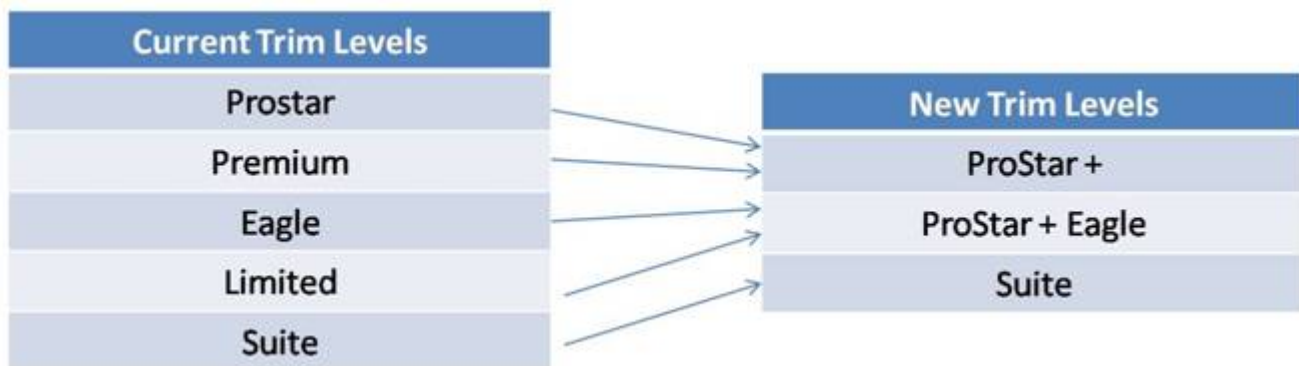
Product Information Update Letter G-2734

Model Consolidation

The ordering of a ProStar+ has become less complicated with the reduction of the number of models. The 12 current ProStar models have been consolidated into four models with the introduction of ProStar+ by removing the trim levels from the models. See chart below for a comparison of the model codes.

BBC	Axle Configuration	Old Model	New Model
113" BBC	4x2	LA64700 PROSTAR 4X2S	LA67700 PROSTAR+ 113 4x2
		LA65700 PROSTAR PREMIUM 4x2S	
		LA66700 PROSTAR LIMITED 4X2S	
	6x4	LF64700 PROSTAR 6X4S	LF67700 PROSTAR+ 113 6x4
		LF65700 PROSTAR PREMIUM 6x4S	
		LF66700 PROSTAR LIMITED 6X4S	
122" BBC	4x2	LA61700 PROSTAR 4X2	LA68700 PROSTAR+ 122 4x2
		LA62700 PROSTAR PREMIUM 4x2	
		LA63700 PROSTAR LIMITED 4X2	
	6x4	LF61700 PROSTAR 6X4	LF68700 PROSTAR+ 122 6x4
		LF62700 PROSTAR PREMIUM 6x4	
		LF63700 PROSTAR LIMITED 6X4	

Now the Interior trim levels have been consolidated from five levels to three. Instead of the model code and feature code defining the interior trim, they are defined just by the trim level feature codes. The Standard trim level is ProStar+ and one can option up to additional levels. The illustration below shows the trim level consolidation.



ProStar+ Feature Highlights

Group 01: Frame

Current bumper features 01LNX, 01LPJ and 01LPL have been updated with a bumper seal that stretches from the hood to the bumper, providing improved aerodynamics.

Group 04: Brakes

New air compressors are available with the 2010 MaxxFace 11 and 13 Engines. The standard clutched air compressor (feature code 04SPL), will turn off the air compressor automatically when it is not needed, thus reducing power consumption of the air system.

04SPL AIR COMPRESSOR 21.0 CFM Capacity

04SPM AIR COMPRESSOR {Bendix} 15.9 CFM Capacity, Single Cylinder

Group 07: Exhaust

All exhaust systems include an after-treatment system to reduce exhaust emissions and comply with 2010 emission regulations. All current ProStar exhaust systems will continue to be available as well as a new right-side frame mounted vertical/vertical system for sleeper cabs.

07BEH EXHAUST SYSTEM Single, Vertical Aftertreatment Device Frame Mounted Right Side Behind Sleeper; Includes Vertical Tail Pipe & Guard

An engine compression brake is now available as an advertised option for 2010 MaxxFace 11 and 13 engines.

Code 07SDA utilizes the latest Jacobs Dedicated Cam Compression Release Technology. The unit includes 2 engine brake housings, special valve bridges, and electronic interface with ECU and 2 dash switches. The first switch is for brake On/Off position and the second for selecting braking power levels (low, medium and high) to meet driving conditions. The brake uses proven Jake Brake components for ease of service, reliability and durability.

The peak rated braking horsepower for the MaxxFace 13 is 470 @ 2100 RPM. The peak rated braking horsepower for the MaxxFace 11 is 375 @ 2100 RPM.

07SDA ENGINE COMPRESSION BRAKE {MaxxFace} for MaxxFace 11 & 13 Engines, With Selector Switch and On/Off Switch

Group 11: Clutch

A hydraulic clutch linkage provides improvement in clutch effort and less engine vibration

11WAJ CLUTCH EFFECTS Hydraulic Clutch Actuation System

11WAK CLUTCH EFFECTS Hydraulic Clutch Actuation System, with Air Assist

Group 12: Engines

ProStar+ models will be available with 2010 emission-level MaxxForce 11 and MaxxForce 13 engines.

MaxxForce Advanced EGR: Inside the Technology

EGR re-circulates cooled exhaust gas, which has no oxygen, into the intake stream, where it displaces some of the normal intake. The reduction in oxygen slows and cools the combustion process, reducing NO_x formation.

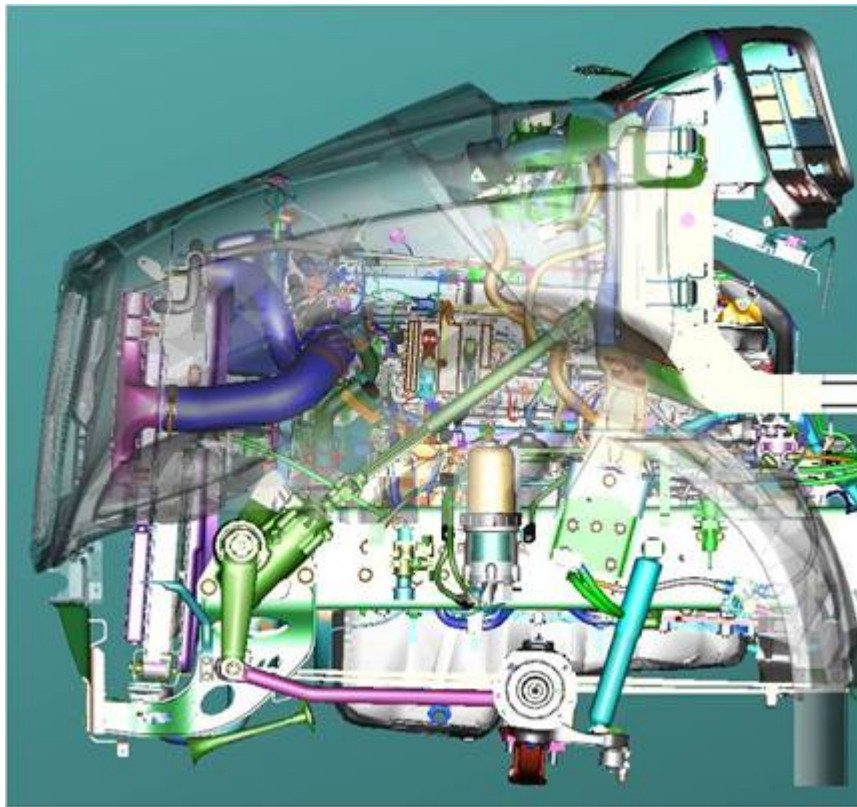
MaxxForce Advanced EGR takes EGR even further to retain the performance, operating economy and durability customers are used to today, thanks to four refinements:

- **Next-generation high pressure common rail fuel injection systems** deliver fuel into the cylinders multiple times per cycle and at higher pressures, regardless of engine speed. This means combustion takes place over a longer period and is more complete, resulting in creation of fewer NO_x emissions.
- **Proprietary combustion bowl design** combines with the higher fuel injection pressure to break the fuel up into a finer mist that is spread more evenly inside the cylinder. This results in a more complete and cleaner burn which retains fuel economy and avoids soot.
- **Advanced air management systems** provide precise control of turbocharger boost pressure and incoming exhaust gas temperature for excellent performance. Combining this with the increased EGR rate means the combustion in the cylinder occurs slower and at a lower temperature, generating less NO_x.
- **Electronic calibration**, supported by increases in computing power, replaces pre-programmed lookup tables and allows engine controllers to continuously calculate the optimum fuel-air-EGR mix for maximum power and efficiency.

The result is an engine that treats NO_x in-cylinder without compromise, and therefore requires no extra effort from our customers.

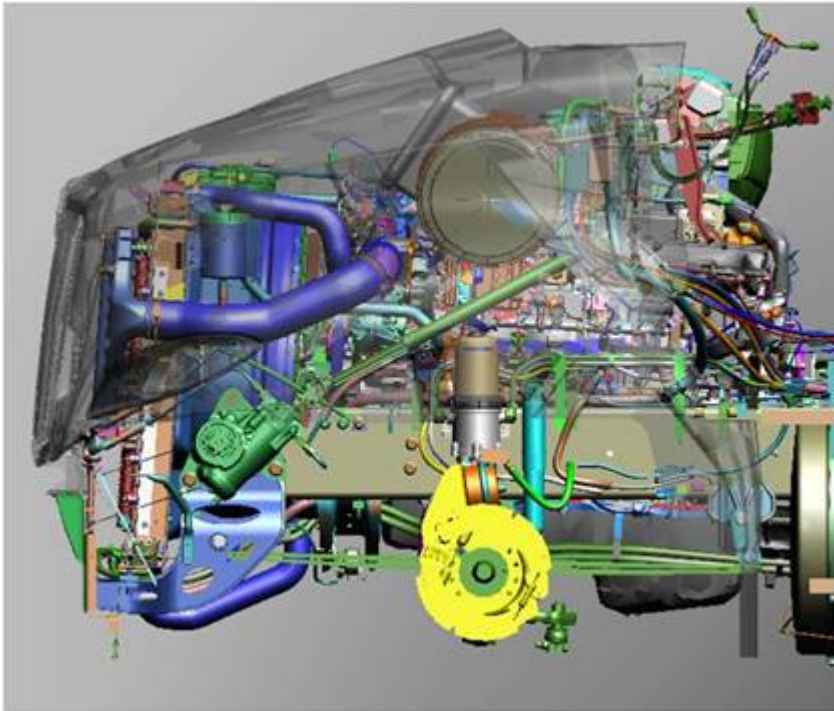
In addition, MaxxForce 11 and MaxxForce 13 engines provide clear access to overhead valves, oil filter and fuel filter for ease of service. All engines include low viscosity engine oil.

Highlights of 2010 Emissions for ProStar+ 113



- Air-to-air charge air cooler relocated from engine to cooling module
- Ring shrouds are being implemented- improved cooling performance
- Clutched air compressor standard
- Electronic module consolidation and engine harness size reduction provides appearance improvements.
- I/P Text messages provide the operator with a clear status of the aftertreatment system
- Aftertreatment wiring improvements

Highlights of 2010 Emissions for ProStar+ 122



- Engine position has been moved rearward 225mm
- Air-to-air charge air cooler relocated from engine to cooling module
- Ring shrouds are being implemented- improved cooling performance
- Clutched air compressor standard
- Electronic module consolidation and engine harness size reduction provides appearance improvements.
- I/P Text messages provide the operator with a clear status of the aftertreatment system
- Aftertreatment wiring improvements

Engines and Related Features

ProStar+ 113 Models are available with 2010 MaxxFORCE 11 and 13 Engines. ProStar+ 122 models are available with 2010 MaxxFORCE 13 Engines only. Additional new ratings will become available in future Sales Tool updates.

Engine Model	HP	Torque	Feature Code
MaxxFORCE 11	330	1250	12BAX ENGINE, DIESEL {MaxxFORCE 11} EPA 10, 330 HP @ 1900 RPM, 1250 lb-ft Torque @ 1000 RPM, 1900 RPM Governed Speed, 330 Peak HP(Max)
	370	1350	12BAY ENGINE, DIESEL {MaxxFORCE 11} EPA 10, 370 HP @ 1700 RPM, 1350 lb-ft Torque @ 1000 RPM, 1900 RPM Governed Speed, 370 Peak HP(Max)
	390	1450	12BAZ ENGINE, DIESEL {MaxxFORCE 11} EPA 10, 390 HP @ 1700 RPM, 1450 lb-ft Torque @ 1000 RPM, 1900 RPM Governed Speed, 390 Peak HP(Max)
MaxxFORCE 13	410	1450	12BBA ENGINE, DIESEL {MaxxFORCE 13} EPA 10, 410 HP @ 1700 RPM, 1450 lb-ft Torque @ 1000 RPM, 1900 RPM Governed Speed, 410 Peak HP(Max)
	430	1550	12BBB ENGINE, DIESEL {MaxxFORCE 13} EPA 10, 430 HP @ 1700 RPM, 1550 lb-ft Torque @ 1000 RPM, 1900 RPM Governed Speed, 430 Peak HP(Max)
	475	1700	12BBC ENGINE, DIESEL {MaxxFORCE 13} EPA 10, 475 HP @ 1700 RPM, 1700 lb-ft Torque @ 1000 RPM, 1900 RPM Governed Speed, 475 Peak HP (Max)

12BAX is the standard engine for the ProStar+ 113 models.

12BBA is the standard engine for the ProStar+ 122 models.

Federal Emission Codes

A Federal Emissions code is required.

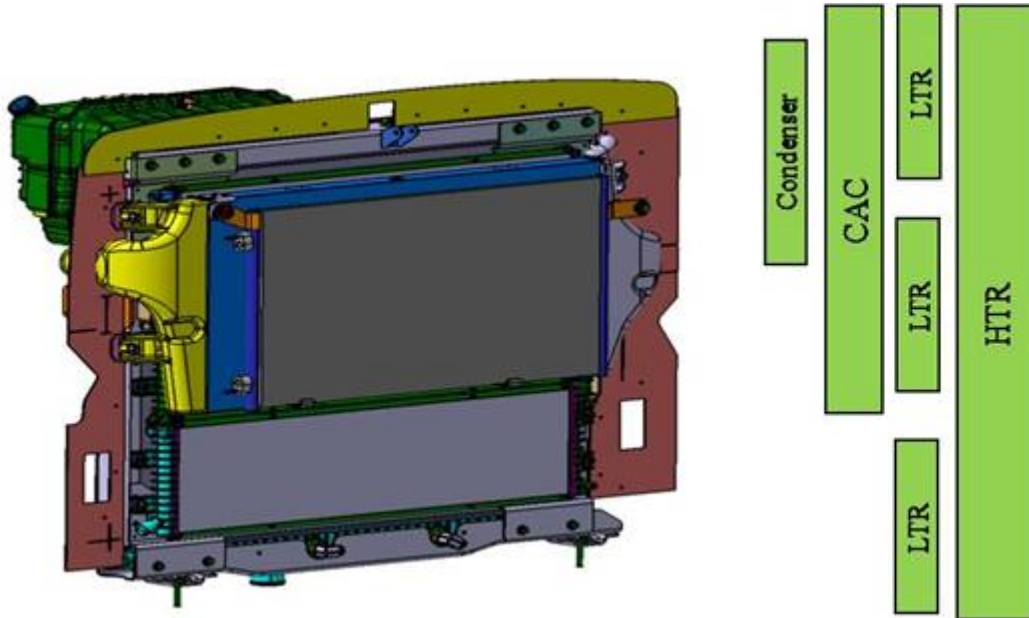
12UXH FEDERAL EMISSION 2010 for International MaxxFORCE 13 Engines

12UXJ FEDERAL EMISSION 2010 for International MaxxFORCE 11 Engines

Radiator

- CAC = Charge Air Cooler with two-stage EGR cooling. The top EGR cooler has been changed to a traditional CAC.
- HTR = High Temperature Radiator
- LTR = Low Temperature Radiator
- Condenser = A/C Condenser

12UBE RADIATOR Aluminum; Single Row, Down Flow System, 1429 SqIn, Front to Back, 764.1 SqIn CAC, 1123.3 SqIn LTR



Fan Drive

The standard variable speed fan drive improves fan response time and has a slower speed during most operating conditions.

12THX FAN DRIVE {Horton V-Master-Ultra} Viscous

12WTA FAN DRIVE SPECIAL EFFECTS Fan Cooling Ring with Fan Shroud Effects, Engine Mounted

Note: 12WTA is required with 2010 MaxxForce 11 and 13 Engines.

Group 15: Fuel Tanks

Fuel/Water Separators

Note: ProStar+ models with 2010 emissions MaxxForce 11 and 13 Engines require a Fuel/Water Separator.

15LKU utilizes a spin-on style replaceable filter element. It includes a reusable clear plastic bottom bowl with an integral contaminant drain to promote convenient viewing and drainage of collected contaminants. It has a standard water-in-fuel (WIF) sensor in the clear bowl to alert the driver through a dash-mounted message, that the FWS has reached its maximum accumulation of water and that it must be drained. An integral manual fuel primer pump and anti-drain back valve in the filter head make fuel filter changes easier and more sanitary.

- 15LKU** FUEL/WATER SEPARATOR {Racor} Fuel Pre-Filter and Filter Base, 10 Micron
- 15LKW** FUEL/WATER SEPARATOR {Davco Fuel Pro 382} With Fuel Heated Fuel Heater, Thermostatic Fuel Temperature Control, Mounted In Standard Position, Includes Water-In-Filter Light
- 15LKX** FUEL/WATER SEPARATOR {Davco Fuel Pro 382} 12 Volt D.C. Pre Heater, Mounted in Standard Location, Includes Water-In-Filter Light
- 15LKY** FUEL/WATER SEPARATOR {Davco Fuel Pro 382} 120 Volt Pre Heater and Fuel Heated, Thermostatic Fuel Temperature Control Mounted In Standard Position, Includes Water-In-Filter Light
- 15LKZ** FUEL/WATER SEPARATOR {Davco Fuel Pro 382} Unheated, Mounted In Standard Position, Includes Water-In-Filter Light
- 15LLA** FUEL/WATER SEPARATOR {Davco Fuel Pro 382} 12 Volt D.C. Pre Heater And Fuel Heated, Thermostatic Fuel Temperature Control, Mounted in Standard Location, Includes Water-In-Filter Light

Group 16: Cab

DayCab Aerodynamic Updates

Current aerodynamic package Code 16XAK with air deflector and side extenders has been modified to improve aerodynamics and provide better fuel economy.

Air Conditioner

A new HVAC unit provides improved performance and a comfortable environment for the driver.

- 16WCT** AIR CONDITIONER {Blend-Air} With Integral Heater & Defroster

Full Length Chassis Skirts

Provide full length wheel-to-wheel chassis skirt coverage for improved aerodynamics and better fuel economy. These chassis skirts are available with sleeper cabs and with specific wheelbase requirements.

- 16XXY** CHASSIS SKIRTS, FULL LENGTH for 56" Sleeper Cab, Charcoal Gray
- 16XXZ** CHASSIS SKIRTS, FULL LENGTH for 73" Sleeper Cab, Charcoal Gray
- 16XYA** CHASSIS SKIRTS, FULL LENGTH for 56" Sleeper Cab, Painted Body Color
- 16XYB** CHASSIS SKIRTS, FULL LENGTH for 73" Sleeper Cab, Painted Body Color

Enhanced Interior Trim

With ProStar+, the interior has been enhanced to reduce weight and complexity while increasing storage capacity.

Three Trim Levels:

- 1) ProStar+
- 2) ProStar+ Eagle
- 3) Suite trim level available in the 73" Hi-Rise sleeper cab.



Components	New/Modified	Configuration/Changes
Overhead Sleeper Cabinets	New	<ul style="list-style-type: none"> • Cabinets have increased captured storage 300% • Reduced weight • Color changed from medium neutral to dark neutral • New grain
Rear Wall Storage	New	<ul style="list-style-type: none"> • New design replaces old rear wall wardrobe design. • Designed to hold papers, books, magazines, cell phone and other small objects • Dark neutral with new grain
Overhead Console	New	<ul style="list-style-type: none"> • Increased storage 150%. Bin can hold clip board, 8.5" x 11" papers • Paper towel holder • Storage tray on top • Dark neutral color and new grain
Headliner	New	<ul style="list-style-type: none"> • Design changed to hug roof contour better. Allows increase in storage • Same color and material as current
Rear Wall Trim	Modified	<ul style="list-style-type: none"> • Upper rear wall trim unchanged • Lower rear wall trim changed to vinyl from cloth. • Trim and insert are medium neutral color
Side Wall Trim	Modified	<ul style="list-style-type: none"> • Upper side trim unchanged • Lower rear wall trim changed to vinyl from cloth.
Refrigerator Cabinets	Modified	<ul style="list-style-type: none"> • Added shelf to refrigerator cabinet

Interior Trim Level Storage Offerings

Interior Trim Feature Code	Optional Code	Description	Daycab (16030)		56" Low-Roof Sleeper (16AUS)		56" Hi-Rise Sleeper (16AUM)		73" Hi-Rise Sleeper (16AUN)			73" Sky-Rise Sleeper (16AUP)	
			ProStar+	ProStar+ Eagle	ProStar+	ProStar+ Eagle	ProStar+	ProStar+ Eagle	ProStar+	ProStar+ Eagle	Eagle w/Suite &	ProStar+	ProStar+ Eagle
			16VTG	16VTE	16VTB	16VTA	16VTD	16VTC	16VSZ	16VSY	16CDX	16VSX	16VSW
REFRIGERATOR CABINET	16VCK	with power source, pull out work table. Located behind passenger seat	n/a	n/a	n/a	n/a	n/a	n/a	O	O	n/a	O	O
REFRIGERATOR CABINET DOOR	16VEN	refrigerator cabinet door	n/a	n/a	n/a	n/a	n/a	n/a	O	O	n/a	O	O
REFRIGERATOR CABINET, SPECIAL	16VGV	ceiling to floor cabinet with refrigerator accommodation with door, includes pull out work table, 2 small drawers, located behind passenger seat	n/a	n/a	n/a	n/a	n/a	n/a	n/a	n/a	O	n/a	n/a
	16VGZ	ceiling to floor cabinet with refrigerator accommodation without door, includes pull out work table, 2 small drawers, located behind passenger seat	n/a	n/a	n/a	n/a	n/a	n/a	n/a	n/a	O	n/a	n/a
REAR WALL STORAGE		Molded Plastic, Mounted on Cab Rear Panel	n/a	n/a	n/a	n/a	I	I	I	I	n/a	n/a	n/a
		With Upper and Lower Pockets, Includes Accent Lights on Bottom	n/a	n/a	n/a	n/a	n/a	n/a	n/a	n/a	n/a	I	I
DRESSER CABINET	16VDX	with drawers and desktop, located behind passenger seat. Eagle gets wood grain.	n/a	n/a	n/a	n/a	n/a	n/a	O	O	n/a	O	O
		ceiling to floor dresser cabinet	n/a	n/a	n/a	n/a	n/a	n/a	n/a	n/a	I	n/a	n/a
UTILITY CABINET	16XXL	With Net; Includes Pull-Out Work Table, 1 Small Drawer, and Removable Shelf, Mounted Behind Passenger Seat	n/a	n/a	n/a	n/a	n/a	n/a	O	I	n/a	O	I
TOWER WARDROBE CABINETS		Includes Clothes Hanging Storage, With Removable Shelf, Mounted Behind Driver Seat	n/a	n/a	n/a	n/a	n/a	n/a	I	n/a	n/a	I	n/a
	16XXV	Includes Clothes Hanging Storage, With Removable Shelf, with Door, Mounted Behind Driver Seat	n/a	n/a	n/a	n/a	n/a	n/a	O	I	n/a	O	I
TOWER WARDROBE CABINET, SPECIAL	16VGX	ceiling to floor cabinet, includes clothes hanging storage, removable shelves, mounted behind driver seat	n/a	n/a	n/a	n/a	n/a	n/a	n/a	n/a	O	n/a	n/a
		ceiling to floor tower wardrobe cabinet, driver side	n/a	n/a	n/a	n/a	n/a	n/a	n/a	n/a	I	n/a	n/a
TOWER WARDROBE CABINET - UPPER LT		with netting and shelves, located behind driver seat	n/a	n/a	n/a	n/a	n/a	n/a	n/a	n/a	n/a	I	n/a
	16VGC	with shelves and door, located behind driver seat	n/a	n/a	n/a	n/a	n/a	n/a	n/a	n/a	n/a	O	I

Interior Trim Feature Code	Optional Code	Description	DayCab (16030)		56" Low-Roof Sleeper (16AUS)		56" Hi-Rise Sleeper (16AUM)		73" Hi-Rise Sleeper (16AUN)			73" Sky-Rise Sleeper (16AUP)	
			ProStar+	ProStar+ Eagle	ProStar+	ProStar+ Eagle	ProStar+	ProStar+ Eagle	ProStar+	ProStar+ Eagle	Eagle w/Suite &	ProStar+	ProStar+ Eagle
			16VTG	16VTE	16VTB	16VTA	16VTD	16VTC	16VSZ	16VSY	16CDX	16VSX	16VSW
TOWER WARDROBE CABINET - UPPER RT		without cover or door, with hanging clothes storage, located behind passenger seat	n/a	n/a	n/a	n/a	n/a	n/a	n/a	n/a	n/a	I	n/a
	16VGL	with door, with hanging clothes storage, located behind passenger seat	n/a	n/a	n/a	n/a	n/a	n/a	n/a	n/a	n/a	O	I
	16VGE	with netting and shelves, located behind passenger seat	n/a	n/a	n/a	n/a	n/a	n/a	n/a	n/a	n/a	O	n/a
	16VGH	with door, with shelves, located behind passenger seat	n/a	n/a	n/a	n/a	n/a	n/a	n/a	n/a	n/a	O	O
	16VHZ	With Net; Includes Clothes Hanging Storage, Mounted Behind Passenger Seat, Sky-Rise Sleeper	n/a	n/a	n/a	n/a	n/a	n/a	n/a	n/a	n/a	O	n/a
OVERHEAD SLEEPER CABINETS		(2) Airline Type; 2 Right Side	n/a	n/a	I	n/a	n/a	n/a	n/a	n/a	n/a	n/a	n/a
	16VGM	(4) Airline Type; 2 Right Side, 2 Left Side	n/a	n/a	O	I	n/a	n/a	n/a	n/a	n/a	n/a	n/a
		two, airline type, one mounted right side, one mounted left side	n/a	n/a	n/a	n/a	n/a	n/a	I	n/a	n/a	n/a	n/a
	16XXK	two, airline type, one small right side, one small left side with doors	n/a	n/a	n/a	n/a	n/a	n/a	O	O w/ up per bu nk	n/a	n/a	n/a
	16XXM	1 small 1 large rt side, 1 small left side with net	n/a	n/a	n/a	n/a	n/a	n/a	O	n/a	n/a	n/a	n/a
	16XXN	1 small 1 large rt side, 1 small 1 large left side with door	n/a	n/a	n/a	n/a	n/a	n/a	O	I	n/a	n/a	n/a
	16XXP	1 small 1 large rt side, 1 small, 1 large left side w/ net	n/a	n/a	n/a	n/a	n/a	n/a	O	n/a	n/a	n/a	n/a
		1 large rt side with net	n/a	n/a	n/a	n/a	I	n/a	n/a	n/a	n/a	n/a	n/a
	16XXR	1 large rt side, 1 large left side with net	n/a	n/a	n/a	n/a	O	n/a	n/a	n/a	n/a	n/a	n/a
	16XXS	1 large rt side, 1 large left side with door	n/a	n/a	n/a	n/a	O	I	n/a	n/a	n/a	n/a	n/a
		(2) Open Bins With Nets; 1 Right Side and 1 Left Side, With Double Bunk	n/a	n/a	n/a	n/a	n/a	n/a	n/a	n/a	n/a	I	I
		(3) Airline Type; Wrap around style above the Bunk Close to the Headliner for Suite Sleeper	n/a	n/a	n/a	n/a	n/a	n/a	n/a	n/a	I	n/a	n/a

I = Included without a feature code S = Standard on Model O = Optional n/a = not available R = Feature is required
* not available with upper bunk

PRICING NOTE:

For the most up to date pricing information on the feature codes contained in this letter please go to the Pricing Information web site: <http://sales1.navistar.com/salestools/pi/default.aspx>